



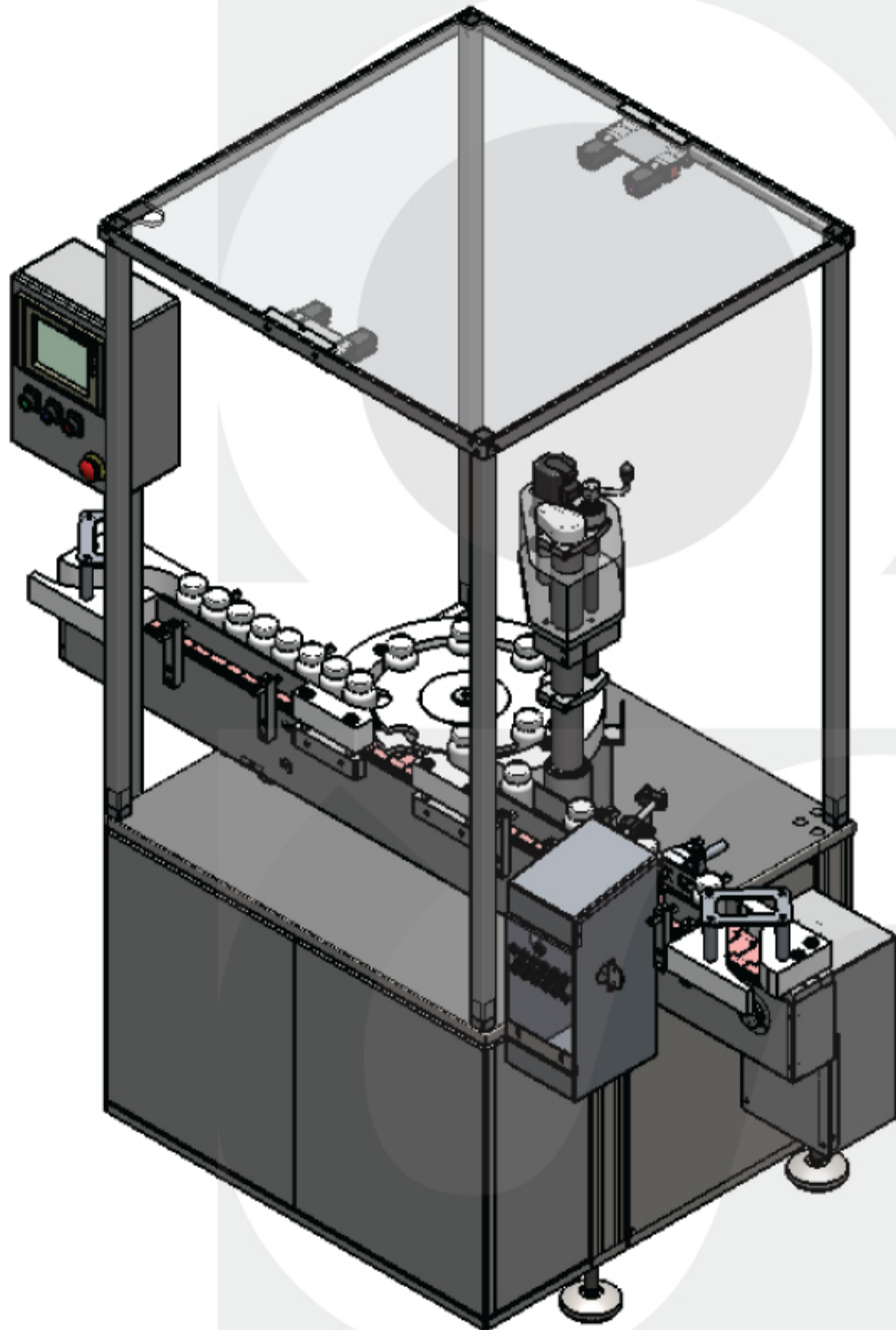
*One Step Ahead*



PACKAGING MACHINERY    PACKAGING MACHINERY    PACKAGING MACHINERY    PACKAGING MACHINERY

www.siempharma.com

ENG



Re-Torque

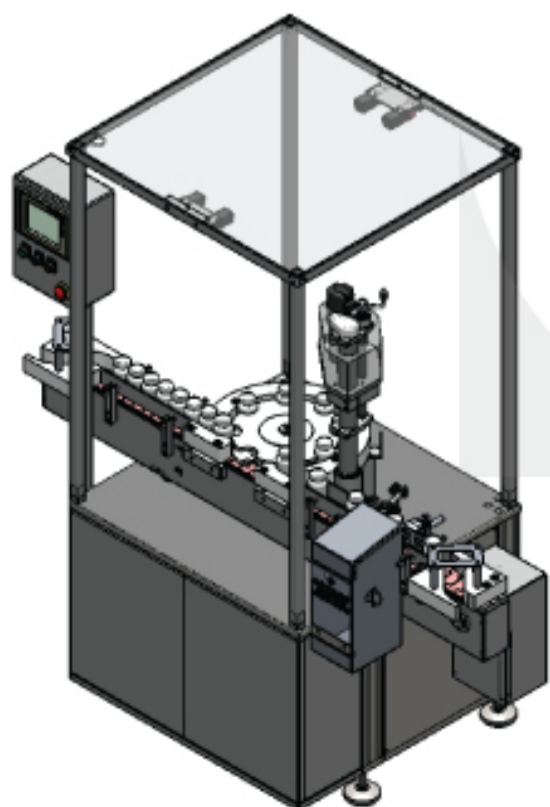
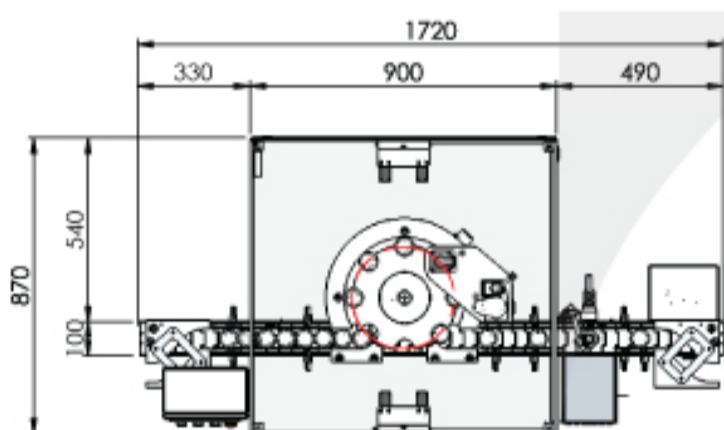
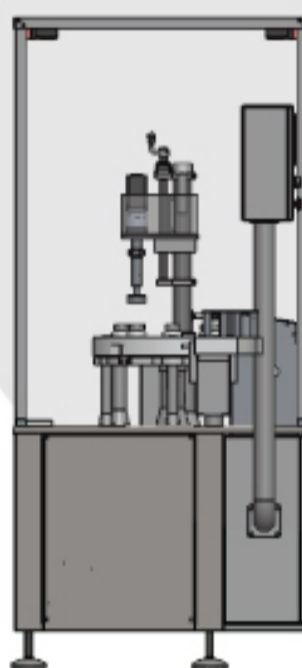
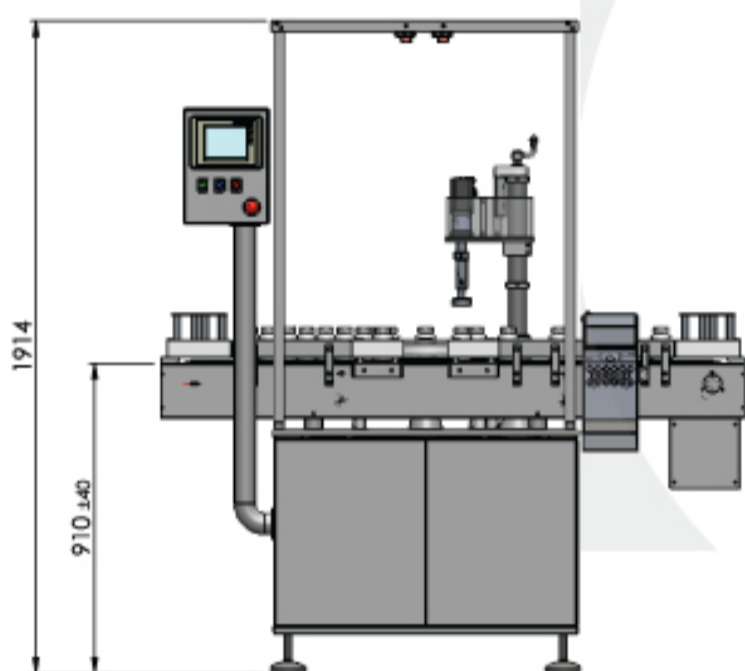
*One Step Ahead*



PACKAGING MACHINERY    PACKAGING MACHINERY    PACKAGING MACHINERY    PACKAGING MACHINERY

*Capping-Machine with torque control and ejection-station*

## Details



Description	Technical Data
Supply Voltage :	400 V - 50 Hz
Installed Power :	5amps
Compressed Air :	4 + 6 Bar